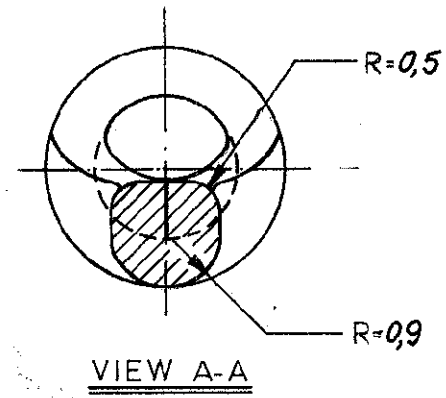
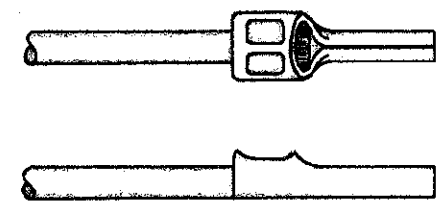
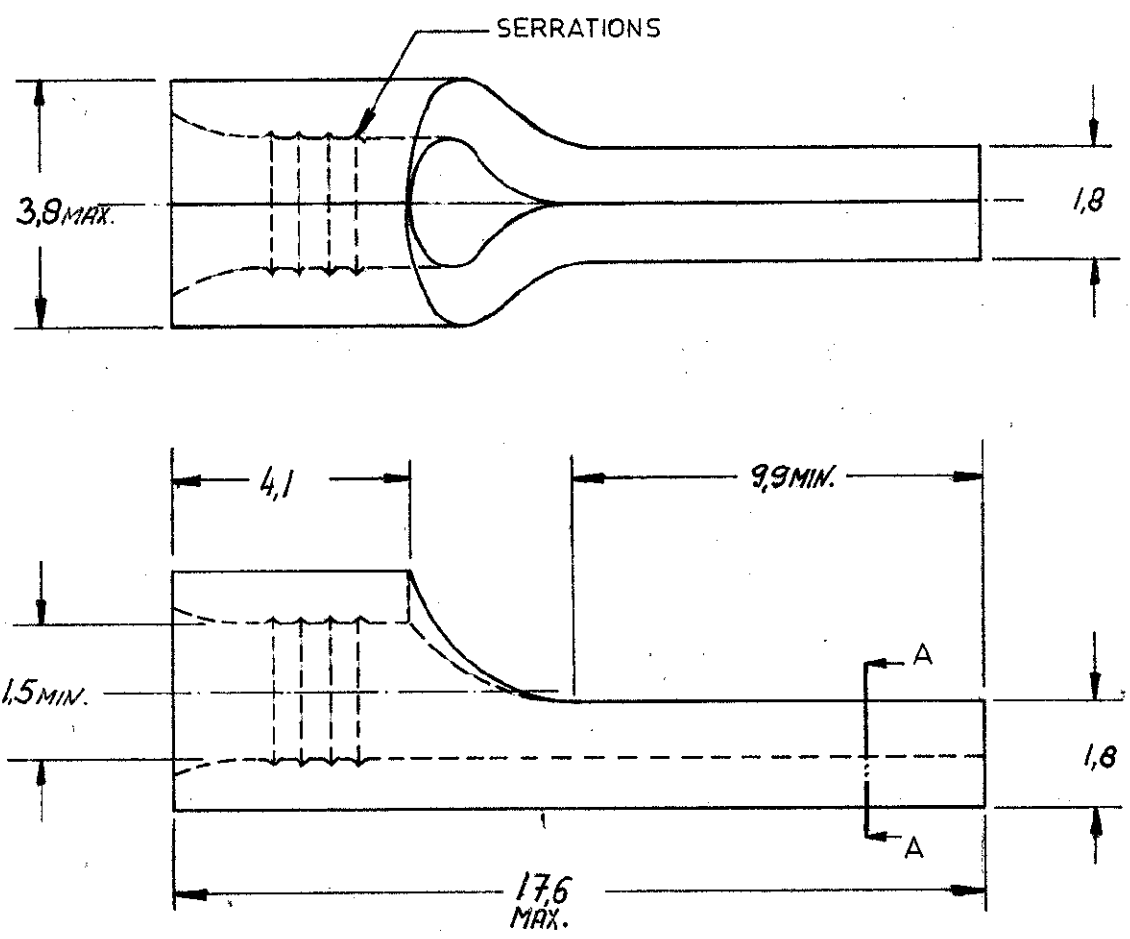


NUMBER
C-165166-E

DIMENSIONS IN mm —DO NOT SCALE PRINT

ORDER No 165166



CUSTOMER PRINT
FOR REFERENCE ONLY

©1965 BY AMP Holland N.V. ALL RIGHTS RESERVED. AMP PRODUCTS COVERED BY PATENTS AND/OR PATENTS PENDING.

-9	-8	-7	-6	-5	-4	-3	-2	-1	DWG SIZE	NUMBER	NAME	REMARKS	ITEM NO.	
REQUIRED PER ASSEMBLY									MATERIAL	E- COPPER	HEAT TREAT	FINISH	TINPLATED	
DESCRIPTION									AMP		DR. Arnold 5-1-65	DATE APP.	DATE REL	DATE
									AMP-HOLLAND N.V.		CHK.	DATE APP.	DATE FIRST USED	DATE
									SCALE	WIRE SIZE	CMA	NAME	REV	
									8:1	0,25-1,6 mm ²	MAX. <input checked="" type="checkbox"/>	MIN. <input checked="" type="checkbox"/>	WIRE PIN	0
											LOC	SIZE NUMBER		
											H	A	C-165166-E	